

CENTRO™ 6402
RETURN



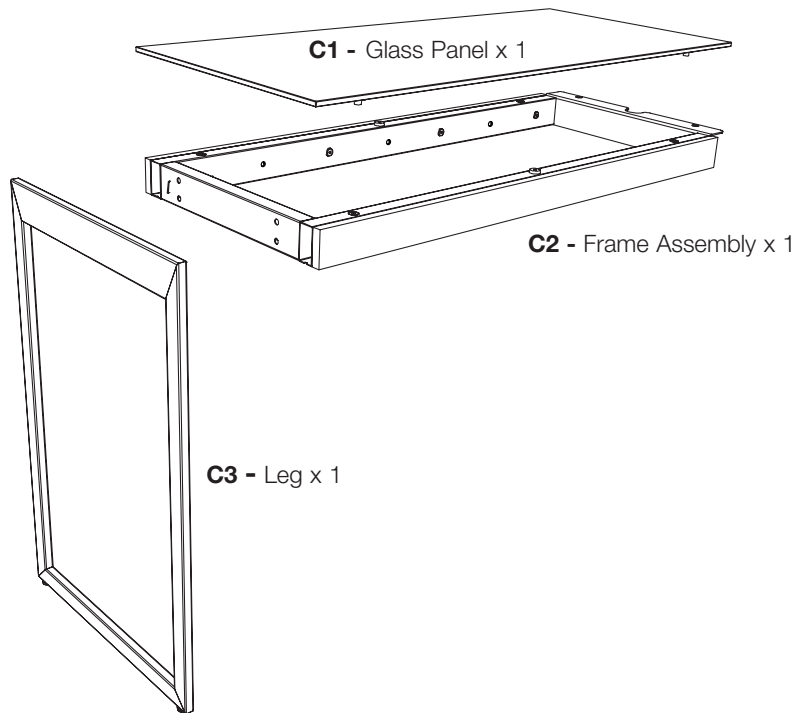
Placement and Maintenance

Centro™ furniture is designed for indoor use on level floors. Clean glass with glass cleaner, and steel parts and wood veneer with a moist cloth.

Your Centro™ furniture is engineered for easy assembly. Carefully follow this procedure to prevent any damage. Do not use power tools for assembly of this product.

Step 1

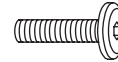
Unpack and identify the parts listed below. The assembly workspace should be a non-marring surface such as carpet.



T1 4mm Hex Wrench



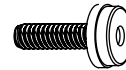
H6 1/4-20 x 12 mm Screw x 2



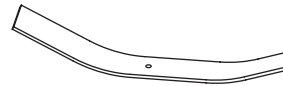
H7 1/4-20 x 38 mm Screw x 4



H8 1/4-20 x 61 mm Screw x 4



H19 Leveler Glide x 2



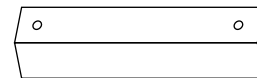
H11 Cord Wrap x 3



H12 - Snap Fastener x 3

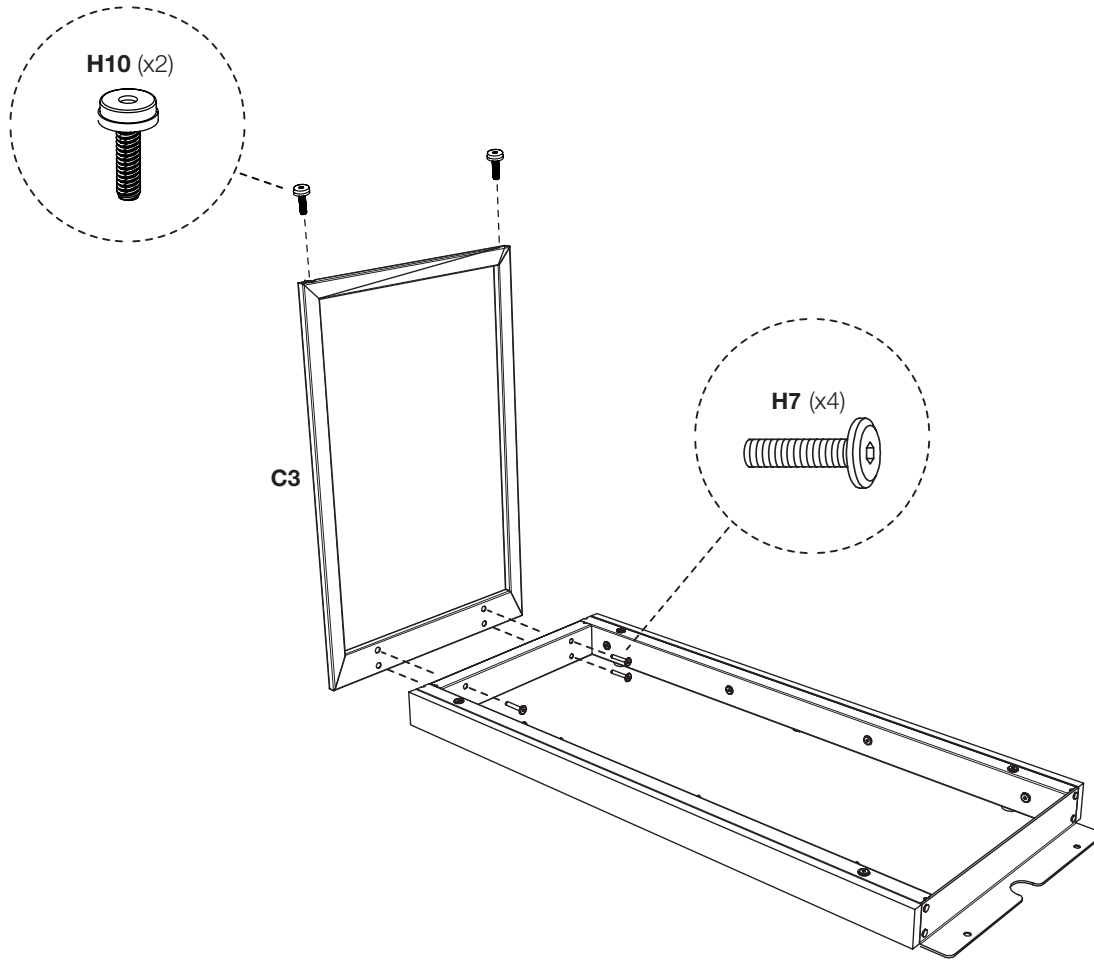


H13 Bumper x 2



H14 Wall Bracket
can be wallmounted to any supported and reinforced solid wall surface.

Step 1 - Install Glides H10 to the bottom of Leg C3. Attach Leg C3 to Frame Assembly C2 with Screws H7.



Step 2 - Install BDI Cord Wraps H11 using Snap Fasteners H12 into hole locations as shown. Install Bumpers H13 into holes as shown.

